

# DT(S)S238-4 (D3401)

## three phase din rail type energy meter

**HIKING**  
Smart meter for IoT



D3401

The meter is used in three phase four wire /three phase three wire /two phase three wire power grid. The meter is designed to measure AC active energy. All of its functions comply with the relative technical requirement for class 1 three phase watt hour meter in IEC62053-21. It is a long life meter with the advantage of high stability, high over load capability, low power loss and small volume.

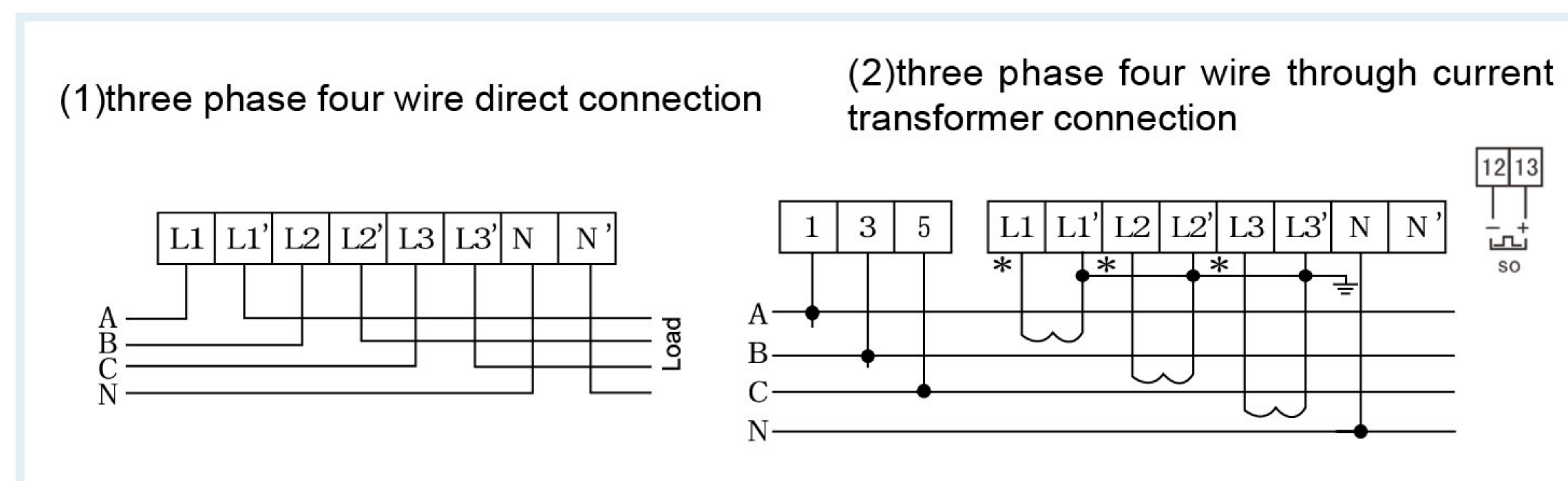
### Basic Function

- LCD display 6+1(default) or 5+2
- Bi-directional total active energy measurement, reverse active energy measure in the total active energy
- Pulse LED indicates working of meter, Pulse output with optical coupling isolation
- Loss phase LED indication, Reverse connection LED indication
- 35mm din rail installation

### Technical Data

Rate voltage AC	DTS238-4 three phase four wire 3x120/208V, 3x220/380V, 3x230/400V (0.8~1.2Un) DSS238-4 three phase three wire(two phase three wire) 2x120/208V, 3x220V, 3x380V, 3x400V (0.8~1.2Un)		
Rate Current / Frequency	5A/CT ,1.5(6)A ,5(60)A , 10(100)A / 50Hz or 60Hz ± 10%		
Connection mode	CT or Direct type	Accuracy class	1% or 0.5%
Power consumption	<1W/10VA	Start current	0.004Ib
AC voltage withstand	4000V/25mA for 60s	Over current withstand	30Imax for 0.01s
IP grade	IP20	Executive standard	IEC62053-21 IEC62052-11
Work temperature	-25℃ ~70℃	Pulse output	Passive pulse, 80 ± 5 ms

### Wire connection



### Outline dimension

