

DDSY238-4(D1408)

single phase din rail type prepayment energy meter



D1408



The DDSY238-4 type single phase prepayment meter is a new type IC card prepayment meter which has such function as power metering, load control and customer information management. It is an ideal product when reforming electric-use system, achieving electrical energy to commercialize, setting charge and adjusting load stage in the power network.

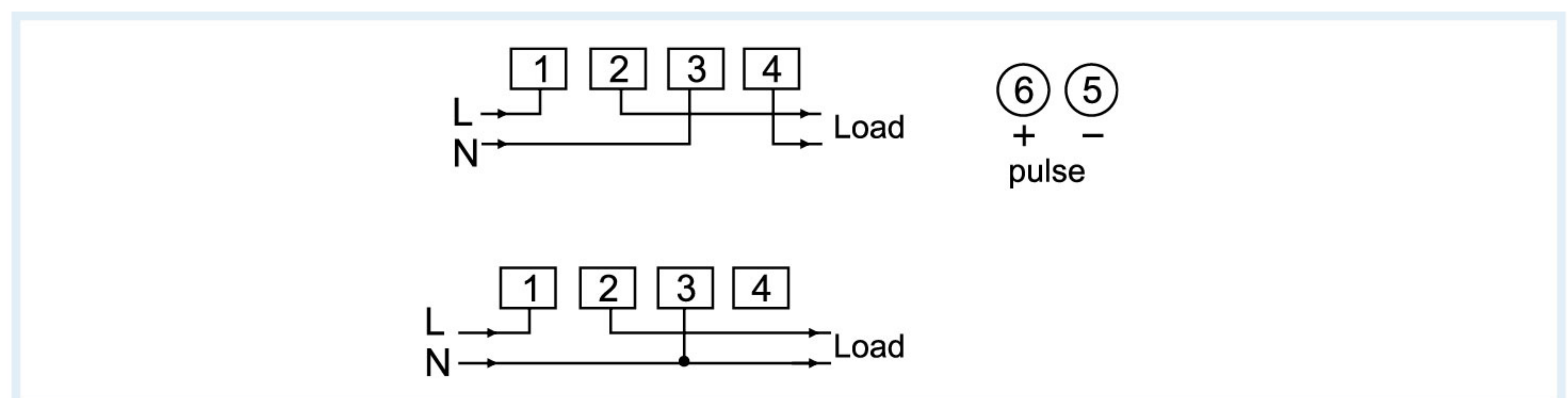
Basic Function

- LCD display 6+2
- Bi-directional total active energy measurement, reverse active energy measure in the total active energy
- Each user responds to a card, well protect from forgery
- Once the electric consumption is used up, it should be cut off automatically
- Auto cut-off for overload
- The IC card power selling control system has the function as power selling and using control
- Pulse LED indicates working of meter, Pulse output with optical coupling isolation 35mm
- din rail installation, bottom type wire connection

Technical Data

Rate voltage AC	110V,120V,220V,230,240V (0.8~1.2Un)		
Rate Current /	5(60)A, 10(100)A / 50Hz or 60Hz ± 10%		
Frequency			
Connection mode	Direct type	Accuracy class	1% or 0.5%
Power consumption	<1W/10VA	Start current	0.004Ib
AC voltage withstand	4000V/25mA for 60s	Over current withstand	30I _{max} for 0.01s
IP grade	IP20	Executive standard	IEC62053-21 DIN 43880
Work temperature	-25°C ~70°C	Pulse output	Passive pulse, 80 ± 5 ms

Wire connection



Outline dimension

