

DDS238-4 W(D1407)

single phase din rail type WIFI remote control energy meter

HIKING
Smart meter for IoT

The meter is designed to measure single phase two wire AC active energy and variable parameter like residential, utility and industrial application. It has remote read communication port RS485 and WIFI. It is a long life meter with the advantage of high stability, high over load capability, low power loss and small volume.

Basic Function

- LCD display, touch button for LCD display step by step
- Bi-directional total active energy, reverse active energy measure in the total active energy
- The meter also display real voltage, current, active power, reactive power, power factor, frequency, import active energy, export active energy, resettable interval energy
- Overvoltage protection, overload protection
- Timing and delay control by APP
- Prepayment function with APP which meter will cut off when balance is zero
- RS485 communication port, MODBUS-RTU protocol
- WIFI communication, can read and remote control by mobile phone APP
- Pulse LED indicates working of meter, Pulse output with optical coupling isolation
- Energy data can store in memory chip more than 15 years after power off
- Select outer WIFI antenna (optional function)
- 35mm din rail installation, bottom type wire connection

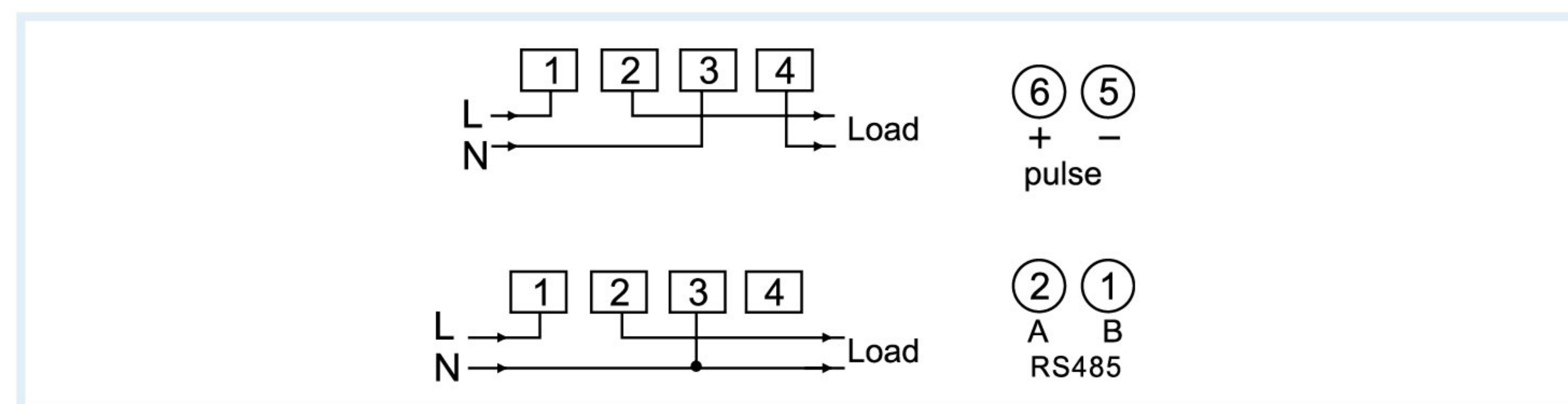


D1407

Technical Data

Rate voltage AC	110V~270V (0.8~1.2Un)		
Rate Current / Frequency	5(60)A, 10(100)A / 50Hz or 60Hz \pm 10%		
WIFI	802.11b/g/n		
Communication port	RS485 port, baud rate 1200~9600 bps, default is 9600bps, address 1~247, None parity, stop bits 1, data bits 8.		
Connection mode	Direct type	Accuracy class	1% or 0.5%
Power consumption	<1W/10VA	Start current	0.004Ib
AC voltage withstand	4000V/25mA for 60s	Over current withstand	30I _{max} for 0.01s
IP grade	IP20	Executive standard	IEC62053-21 DIN 43880
Work temperature	-25°C ~70°C	Pulse output	Passive pulse, 80 \pm 5 ms

Wire connection



Outline dimension

