

DDS238-4(D1403)

single phase din rail type energy meter

HIKING
Smart meter for IoT



D1403-1



D1403-2

The meter is designed to measure single phase two wire or single phase three wire AC active energy like residential, utility and industrial application. It is a long life meter with the advantage of high stability, high over load capability, low power loss and small volume.

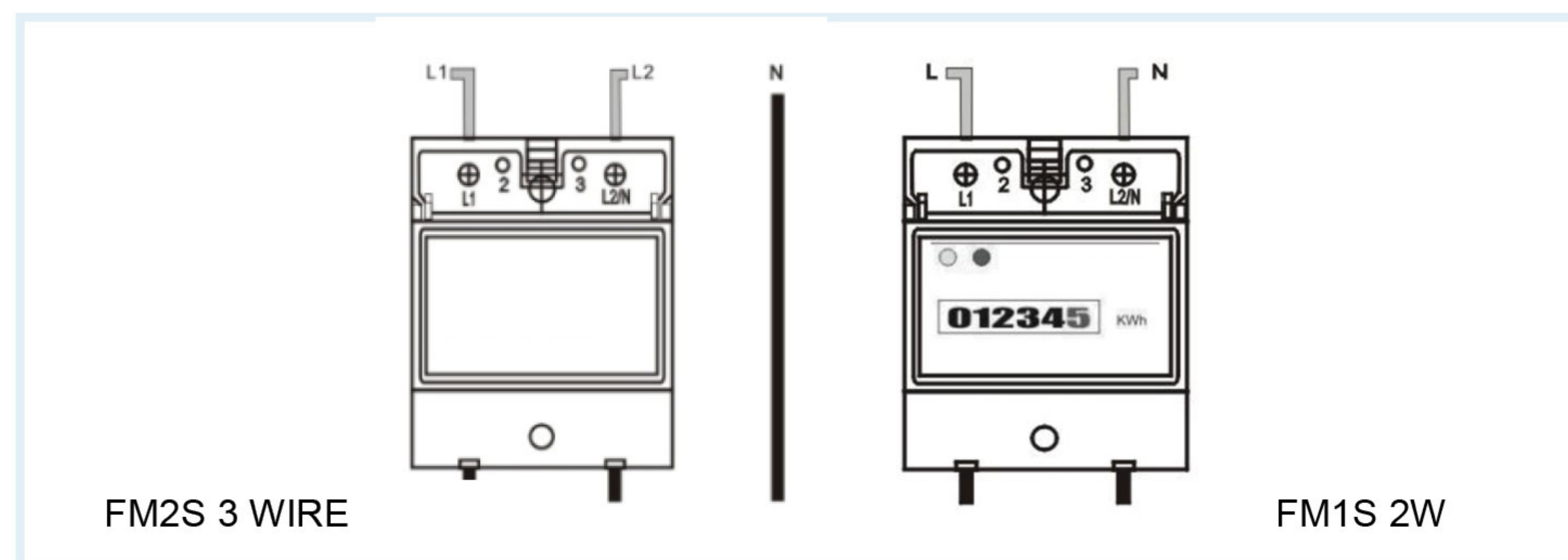
Basic Function

- LCD 6+1
- Bi-directional total active energy measurement, reverse active energy measure in the total active energy
- Power on LED indication
- Pulse LED indicates working of meter, Passive pulse output with optical coupling isolation
- Core through type wire connection
- 35mm din rail installation

Technical Data

Rate voltage AC	Single phase 2 wire 110V,120V,220V (0.8~1.2Un) Single phase 3 wire 110/220V , 120/240V (0.8~1.2Un)		
Rate Current / Frequency	10(100)A, 20(100)A / 50Hz or 60Hz \pm 10%		
Connection mode	Direct type	Accuracy class	1% or 0.5%
Power consumption	<1W/10VA	Start current	0.004Ib
AC voltage withstand	4000V/25mA for 60s	Over current withstand	30Imax for 0.01s
IP grade	IP20	Executive standard	IEC62053-21 DIN 43880
Work temperature	-25°C ~70°C	Pulse output	Passive pulse, 80 \pm 5 ms

Wire connection



Outline dimension

