

# DDS238-2 ZN/S (D1205)

## single phase split CT type multi-function energy meter



D1205

The meter is designed to measure single phase two wire AC active energy and variable parameter like residential, utility and industrial application. It has remote read communication port RS485. It is a long life meter with the advantage of high stability, high over load capability, low power loss and small volume.

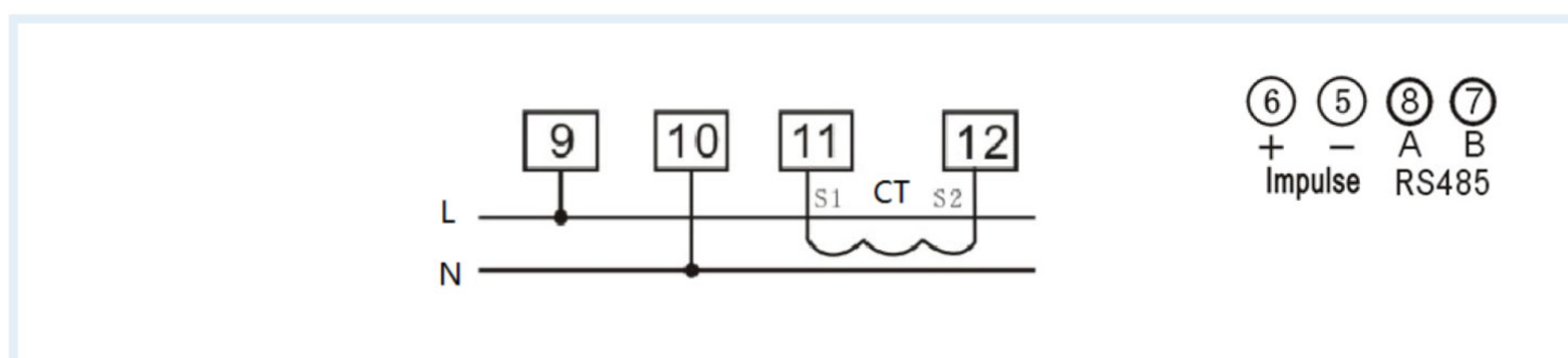
### Basic Function

- LCD display with backlight, display and measure primary circuit data directly
- Bi-directional total active energy, reverse active energy measure in the total active energy
- The meter also display real voltage, current, active power, reactive power, power factor, frequency, import active energy, export active energy, resettable interval energy
- RS485 communication port, MODBUS-RTU protocol
- Pulse LED indicates working of meter, Pulse output with optical coupling isolation
- Energy data can store in memory chip more than 15 years after power off
- Connect with split CT, you can easy to fix on cable for measure energy
- 35mm din rail installation

### Technical Data

Rate voltage	110V,120V,220V,230,240V (0.8~1.2Un)		
Rate Current / Frequency	5(65)A , 10(100)A , 30(200)A / 50Hz or 60Hz ± 10%		
Communication port	RS485 port, baud rate 1200~9600 bps, default is 9600bps, address 1~247, None parity, stop bits 1, data bits 8.		
Connection mode	Direct type	Accuracy class	1% or 0.5%
Power consumption	<1W/10VA	Start current	0.004Ib
AC voltage withstand	4000V/25mA for 60s	Over current withstand	30Imax for 0.01s
IP grade	IP20	Executive standard	IEC62053-21 DIN 43880
Work temperature	-25℃ ~70℃	Pulse output	Passive pulse, 80 ± 5 ms

### Wire connection



### Outline dimension

