

# DDS238-2 SW(D1203)

## single phase din rail type multi-function energy meter



D1203

The meter is designed to measure single phase two wire AC active energy like residential, utility and industrial application. It is a long life meter with the advantage of high stability, high over load capability, low power loss and small volume.

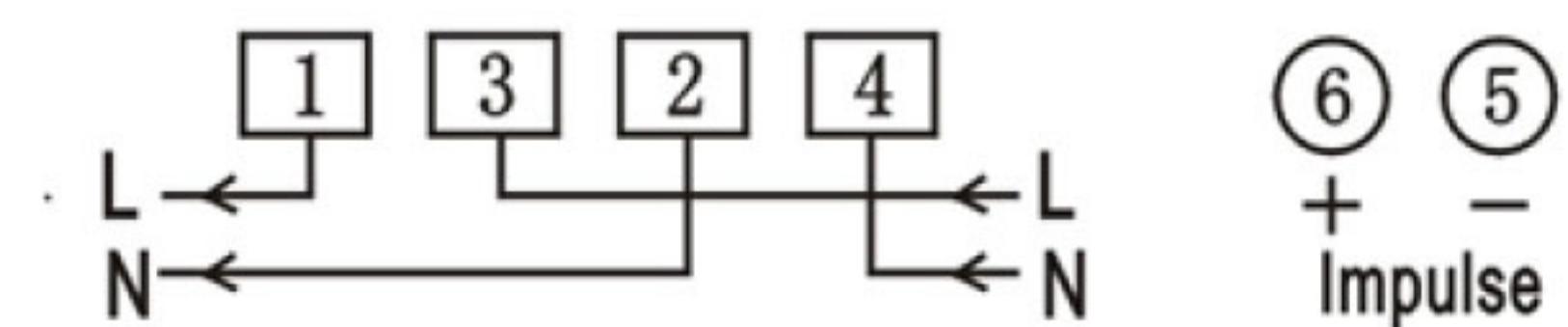
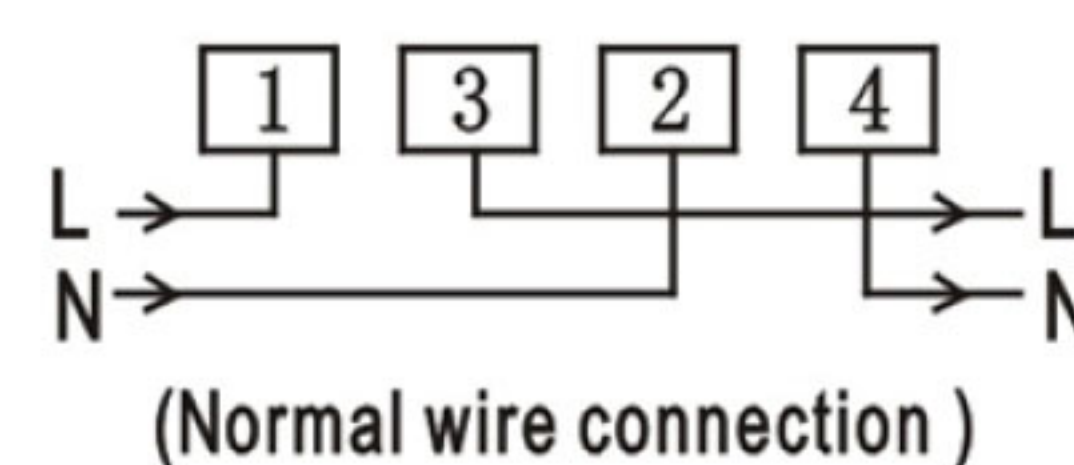
### Basic Function

- LCD display with backlight , Keypad for LCD display step by step
- Bi-directional total active energy, reverse active energy measure in the total active energy
- The meter also display real voltage, current, active power, reactive power , power factor, frequency, import active energy, export active energy, resettable interval energy
- Reset energy function(the reset energy kWh display is dependent with the total energy display, this reset will not affect the total energy)
- Pulse LED indicates working of meter, Pulse output with optical coupling isolation
- Energy data can store in memory chip more than 15 years after power off
- 35mm din rail installation

### Technical Data

Rate voltage AC	110V,120V,220V,230,240V (0.8~1.2Un)		
Rate Current / Frequency	5(65)A, 10(100)A / 50Hz or 60Hz ± 10%		
Connection mode	Direct type	Accuracy class	1% or 0.5%
Power consumption	<1W/10VA	Start current	0.004Ib
AC voltage withstand	4000V/25mA for 60s	Over current withstand	30Imax for 0.01s
IP grade	IP20	Executive standard	IEC62053-21 DIN 43880
Work temperature	-25℃ ~70℃	Pulse output	Passive pulse, 80 ± 5 ms

### Wire connection



Note: If reverse wire connection as photo 2, the total energy still can measure

### Outline dimension

