

DDS238-2D (D1202)

single phase din rail type energy meter



D1202

The meter is designed to measure single phase two wire AC active energy like residential, utility and industrial application. It is a long life meter with the advantage of high stability, high over load capability, low power loss and small volume.

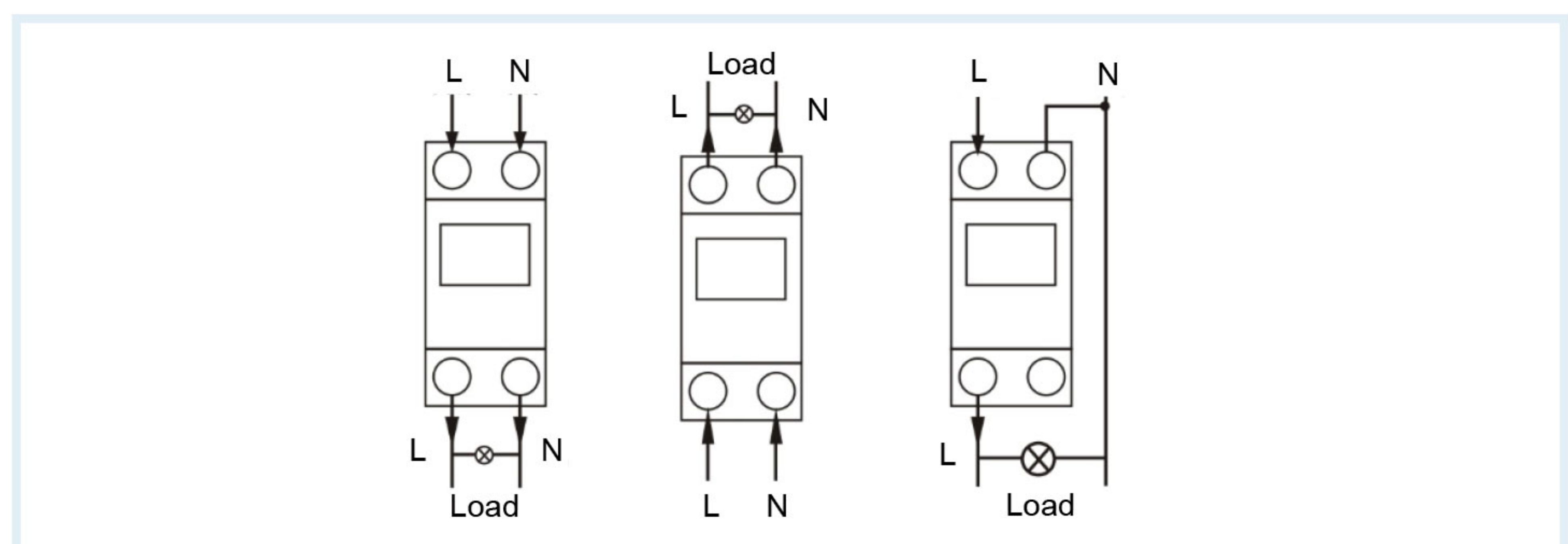
Basic Function

- LCD display 5+1
- Bi-directional total active energy measurement, reverse active energy measure in the total active energy
- Pulse LED indicates working of meter, Passive pulse output with optical coupling isolation
- Energy data can store in memory chip more than 15 years after power off
- LCD with backlight, and also display A , V ,KW (optional function)
- 35mm din rail installation

Technical Data

Rate voltage AC	220V,230,240V (0.8~1.2Un)		
Rate Current / Frequency	5(60)A / 50Hz or 60Hz \pm 10%		
Connection mode	Direct type	Accuracy class	1% or 0.5%
Power consumption	<1W/10VA	Start current	0.004Ib
AC voltage withstand	4000V/25mA for 60s	Over current withstand	30Imax for 0.01s
IP grade	IP20	Executive standard	IEC62053-21 DIN 43880
Work temperature	-25 $^{\circ}$ C ~70 $^{\circ}$ C	Pulse output	Passive pulse, 80 \pm 5 ms

Wire connection



Outline dimension

